

# PLANNING

**Notes:**  
 Figured dimensions to be used in preference to scaling from the drawing. Contractors to verify all dimensions on site and report any discrepancy to the Principal or delegated site manager or senior architect, before proceeding with any work.

All boundary dimensions and bearings to be verified by a licenced surveyor prior to proceeding any work

**Title : Domestic Animal Husbandry Site Plan**

Drawing Number: AF-20-310      Rev :08

Date :20/10/2020      Scale :1:1250

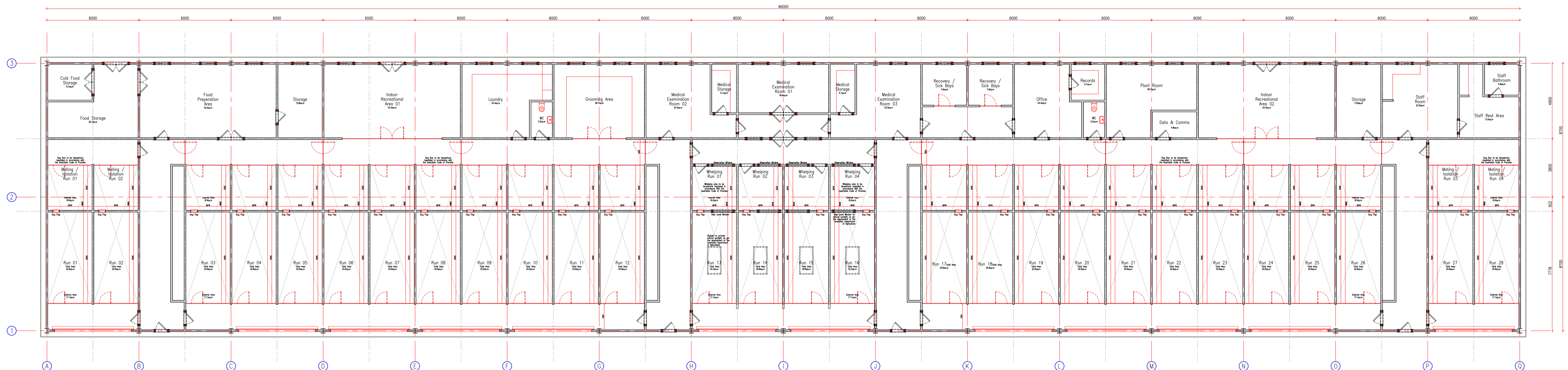
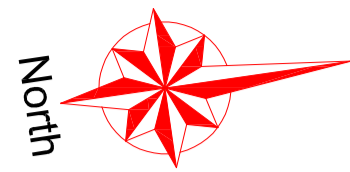
Drawn By :HJW      Paper Size :A1

Rev:	Title:	By:	Date:
01	General Information Updated for Planning Issue	HJW	19/11/2020
02	Play Area Layout Updated for Planning	HJW	20/11/2020
03	General Info Updated as per Planning request	HJW	23/12/2020
04	General Info Updated as per Planning request	HJW	15/01/2021
05	Planning, Layout & Location Updated	HJW	13/04/2021
06	Building Re-Located as requested by Planning	HJW	11/05/2021
07	Building Re-Located as requested by Planning	HJW	23/06/2021
08	General Updates & Building Re-Located	HJW	11/10/2021

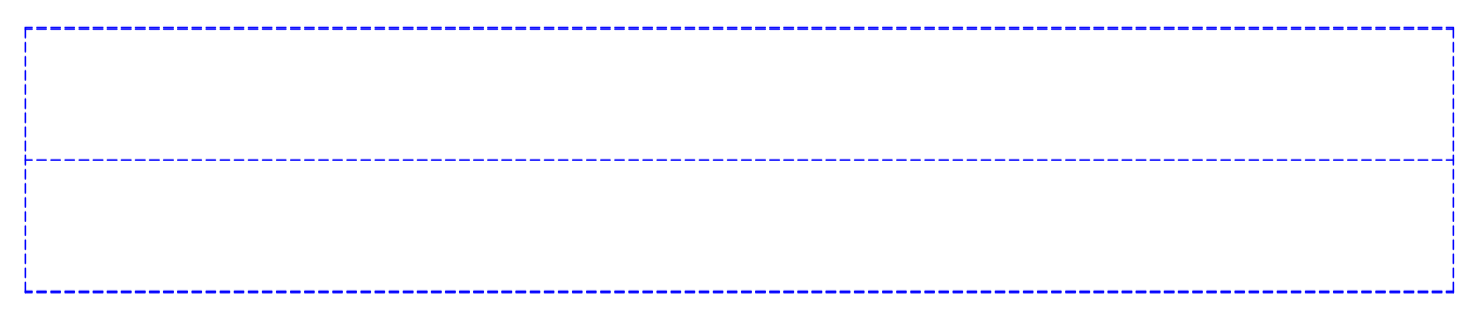
**Project : Ariss Farm**

**Address : 64 Boundary Road Woodend North 3442 VIC**

This drawing, including the information it contains, is copyright and is the property of Knights Templar Capital and associates. It is submitted only in conjunction with the transaction to which it pertains and must not be used in any other manner detrimental to the interests of Knights Templar Capital and associates. This drawing is not to be copied and must be returned upon request.



Roof Line Plan  
1:200



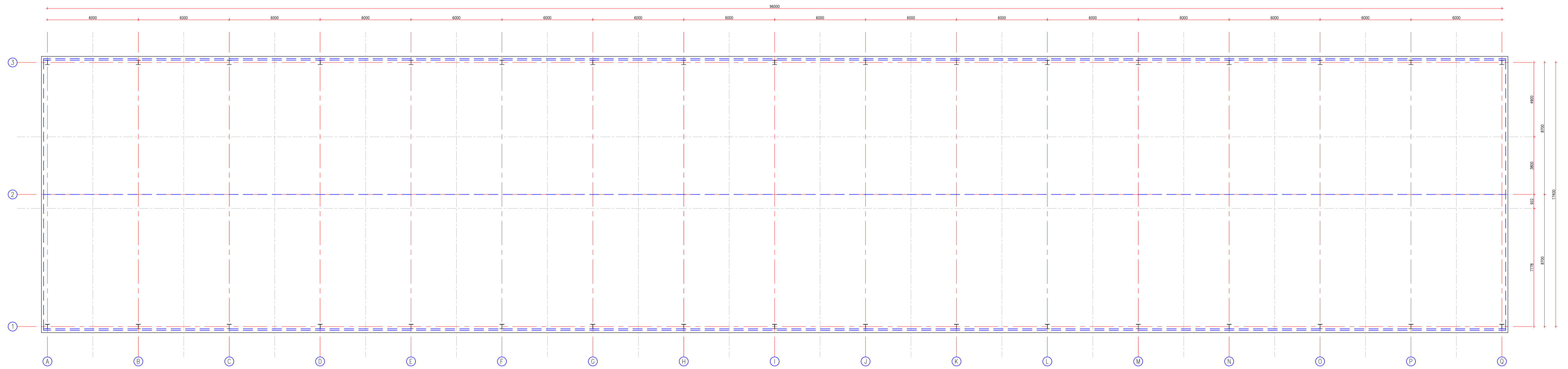
# PLANNING

**Notes:**  
 Figured dimensions to be used in preference to scaling from the drawing. Contractors to verify all dimensions on site and report any discrepancy to the Principal or delegated site manager or senior architect, before proceeding with any work.  
 All boundary dimensions and bearings to be verified by a licenced surveyor prior to proceeding any work

<b>Title : Domestic Animal Husbandry Proposed Layout Plan</b>		<b>Rev:</b>	<b>Title:</b>	<b>By:</b>	<b>Date:</b>
<b>Drawing Number:</b> AF-20-300	<b>Rev :</b> 08	01	Dimensions & General Information added	HJW	27/10/2020
<b>Date :</b> 20/10/2020	<b>Scale :</b> 1:150	02	Building Layout Revised & Information added	HJW	17/11/2020
<b>Drawn By :</b> HJW	<b>Paper Size :</b> A1	03	Planning & General Information Updated	HJW	20/11/2020
		04	Planning & General Information Updated	HJW	23/12/2020
		05	Planning & Layout Updated	HJW	12/04/2021
		06	Planning & Layout Updated	HJW	19/04/2021
		07	Planning & Layout Revised	HJW	23/06/2021
		08	Planning & Layout Updated	HJW	16/10/2021

**Project :** Ariss Farm  
**Address :** 64 Boundary Road  
 Woodend North  
 3442 VIC

This drawing, including the information it contains, is copyright and is the property of Knight Templar Capital and associates. It is intended only in conjunction with the transaction to which it pertains and must not be used in any other manner detrimental to the interest of Knight Templar Capital and associates. This drawing is not to be copied and must be returned upon request.



All roofing to be installed to manufacturers specifications, in conjunction with the AUS & NZ Standards.

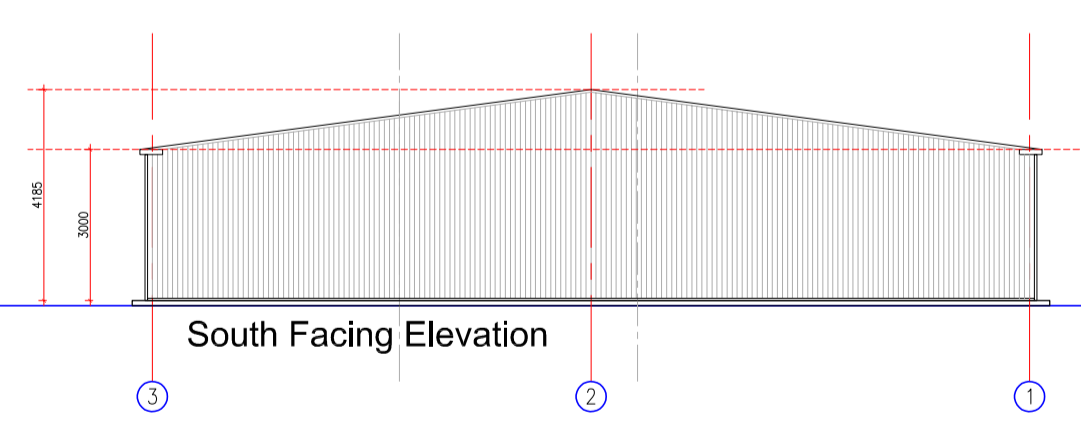
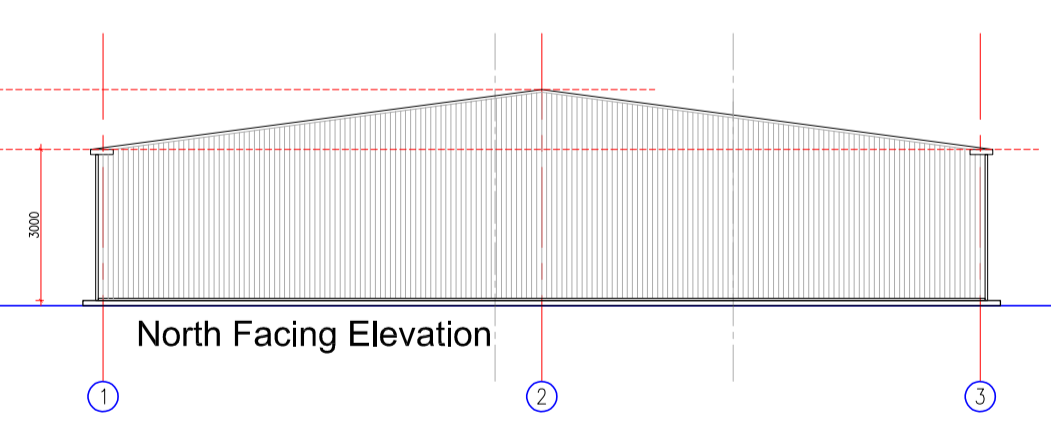
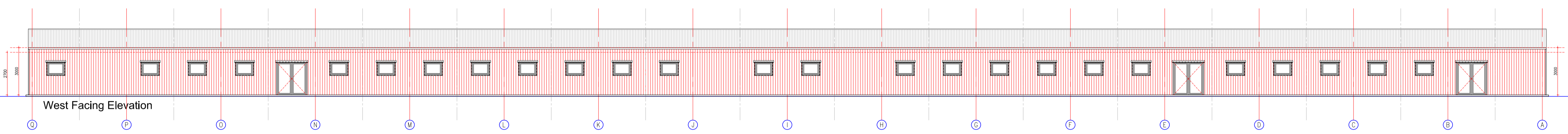
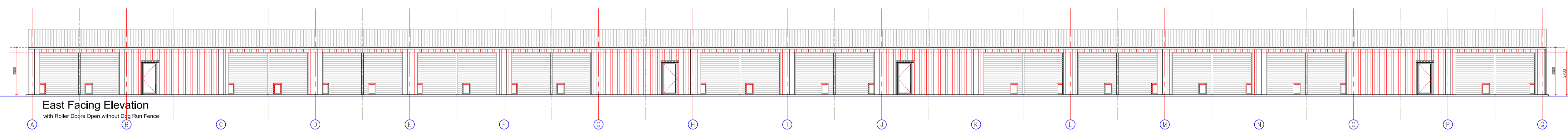
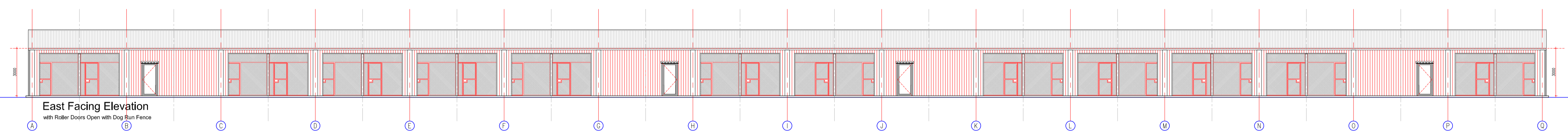
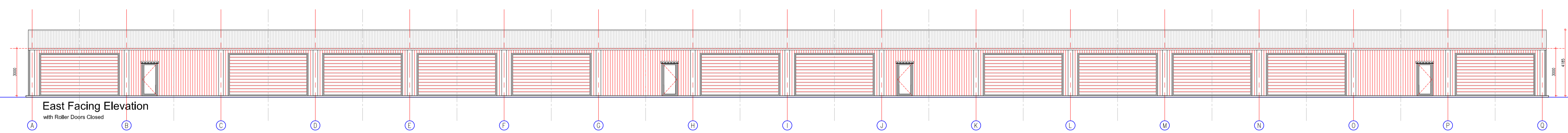
# PLANNING

**Notes:**  
 Figured dimensions to be used in preference to scaling from the drawing. Constructors to verify all dimensions on site and report any discrepancy to the Principal or delegated site manager or senior architect, before proceeding with any work.  
 All boundary dimensions and bearings to be verified by a licenced surveyor prior to proceeding any work

<b>Title : Domestic Animal Husbandry Roof Plan</b>	
<b>Drawing Number: AF-20-304</b>	<b>Rev :07</b>
<b>Date :20/10/2020</b>	<b>Scale :1:150</b>
<b>Drawn By :HJW</b>	<b>Paper Size :A1</b>

Rev:	Title:	By:	Date:
01	Building Layout Revised & Information added	HJW	17/11/2020
02	General Information added	HJW	19/11/2020
03	Planning & General Information Updated	HJW	20/11/2020
04	Planning & Layout Updated	HJW	12/04/2021
05	Planning & Layout Revised	HJW	21/04/2021
06	Planning & Layout Revised	HJW	23/06/2021
07	Planning & Layout Updated	HJW	16/10/2021

<b>Project : Ariss Farm</b>
<b>Address : 64 Boundary Road Woodend North 3442 VIC</b>
<small>This drawing, including the information it contains, is copyright and is the property of Knight Templar Capital and associates. It is submitted only in conjunction with the transaction to which it pertains and must not be used in any other manner detrimental to the interest of Knight Templar Capital and associates. This drawing is not to be copied and must be returned upon request.</small>



Material Schedule

	Painted Timber - Treated Timber Colour - Light Rice or similar
	Walls - 1/2" Clad Colour - Zinc
	Roof - 1/2" Clad Colour - Zinc
	Mesh Fence Colour - Silversteel or similar

# PLANNING

**Notes:**  
Figured dimensions to be used in preference to scaling from the drawing. Constructors to verify all dimensions on site and report any discrepancy to the Principal or delegated site manager or senior architect, before proceeding with any work.  
  
All boundary dimensions and bearings to be verified by a licenced surveyor prior to proceeding any work.

<b>Title : Domestic Animal Husbandry Elevations</b>		<b>Rev:</b>	<b>Title:</b>	<b>By:</b>	<b>Date:</b>	<b>Project : Ariss Farm</b>
		01	Planning & Layout Revised	HJW	21/04/2021	
		02	Planning & Layout Revised	HJW	23/06/2021	<b>Address : 64 Boundary Road Woodend North 3442 VIC</b>
		03	Planning & Layout Updated	HJW	16/10/2021	
<b>Drawing Number: AF-20-306</b>		<b>Rev :03</b>				
<b>Date</b> : 20/10/2020	<b>Scale</b> : 1:150					
<b>Drawn By</b> : HJW	<b>Paper Size</b> : A1					

This drawing, including the information it contains, is copyright and is the property of Knight Templar Capital and associates. It is intended only in conjunction with the transaction to which it pertains and must not be used in any other manner detrimental to the interest of Knight Templar Capital and associates. This drawing is not to be copied and must be returned upon request.